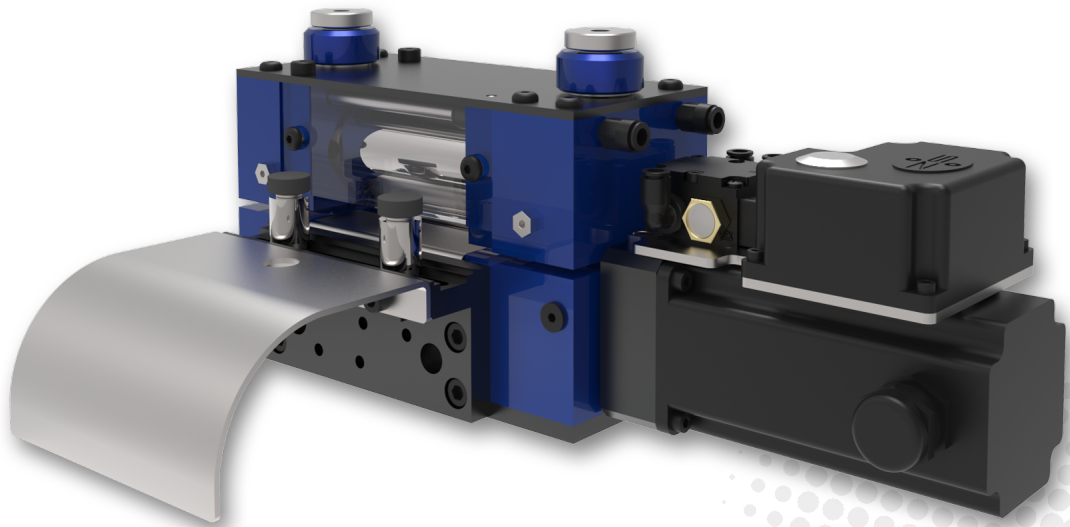


COMPACT ROLL FEED EV DR ST

Models: EV DR 040 ST | EV DR 080 ST | EV DR 160 ST | EV DR 240 ST



COMPACT. PROVEN.

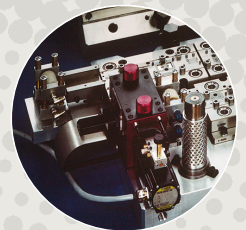
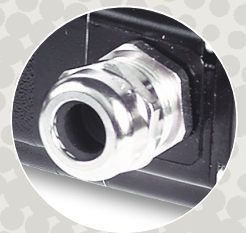
- Efficient stepper motor
- Direct driven lower roll (gearless)
- Powerful, versatile programmable control

ADAPTABLE

- Very compact dimensions
- 90° or 180° angular gearbox and various gear ratios
- Motor position: lengthwise, sideways, above, below of feeder
- Various roll surfaces and segmented rolls

IMPROVED EASE OF USE (COMPARED TO EVD DG)

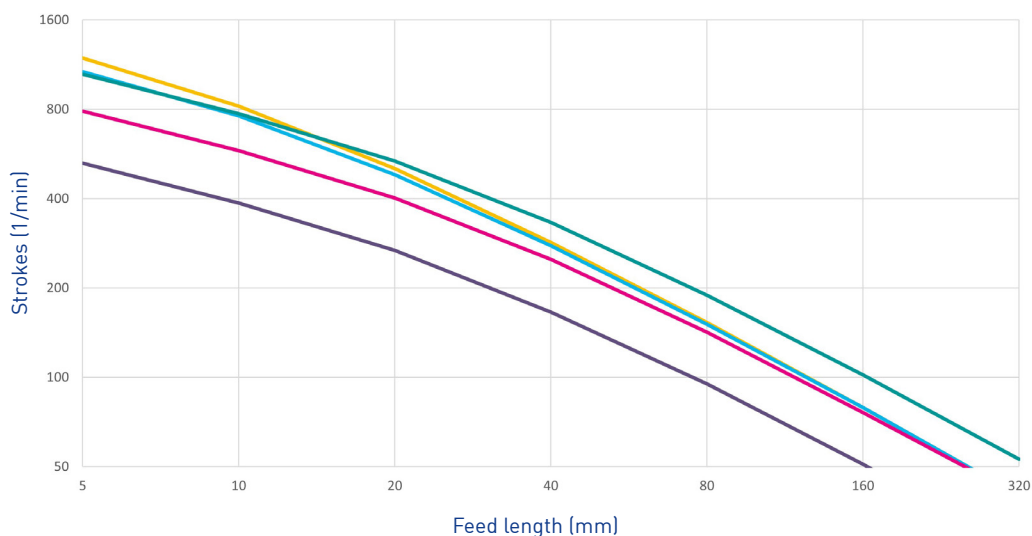
- Quick-change rolls
- Easily removable inlet for cleaning rolls
- Improved pilot release adjustment
- Adjustable roll baskets with pressure roll(s), inlet plates
- With compatible mounting plate
- Optional material guides, graduated ruler



COMPACT ROLL FEED EV DR ST



PERFORMANCE

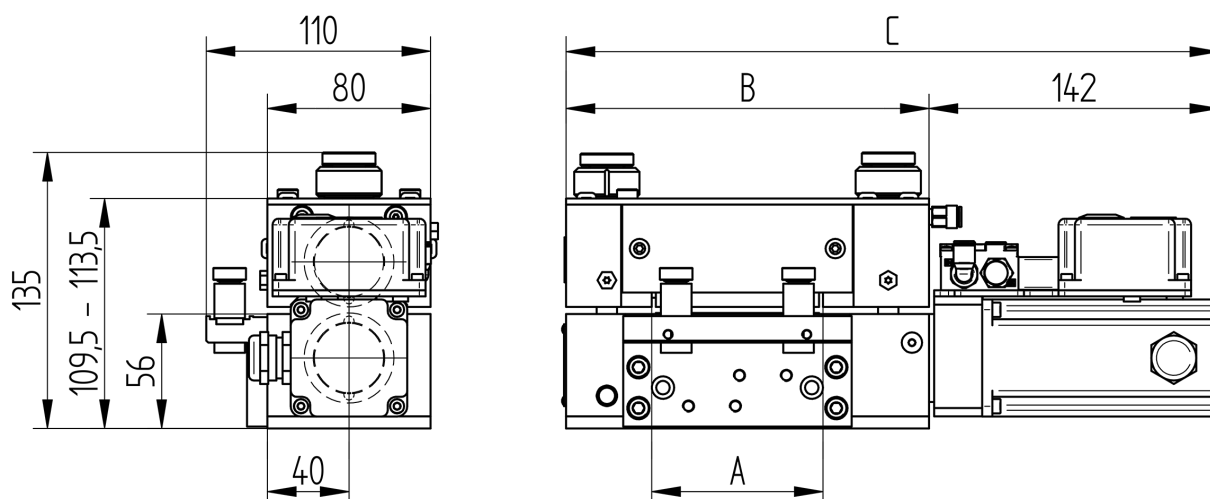


Performance curves (examples)*

Loop weight / Feed angle
0 kg / 180°
0.5 kg / 180°
2 kg / 180°
2 kg / 240°
2 kg / 120°

*Calculation basis: EV DR 080 ST
Power in: 92V

TECHNICAL SPECIFICATIONS



MODEL	EV DR ST	040	080	160	240
Opening width A (mm)		44	84	164	244
Support width B (mm)		138	178	258	338
Overall width C (mm)		280	320	400	480
Band thickness		max. 4 mm			
Roll diameter		44 mm			
Accuracy		+/- 0.10 mm			
Speed max.*		150 m/min			
Traction max.*		70 N			
Cross section (recommended)		max. 50 mm ²			

SWITZERLAND

Zehnder & Sommer AG
CH-3400 Burgdorf
info@zehndersommer.com
Tel +41 31 800 00 00

GERMANY

Zehnder & Sommer GmbH
DE-58452 Witten
info@zehndersommer.de
Tel +49 2302 981 60 30

zehndersommer.com
ZSswiss.com

*Depending on motor, control and supply.
Ask for a specific configuration and calculation.