

# SMALL WASTE CHOPPER TS KP

Models: TS KP 060 | TS KP 080



## SCOPE OF DELIVERY

- Waste chopper complete with a directly mounted solenoid valve, 5/2 path
- Silencer, included guard plate and material guide plate

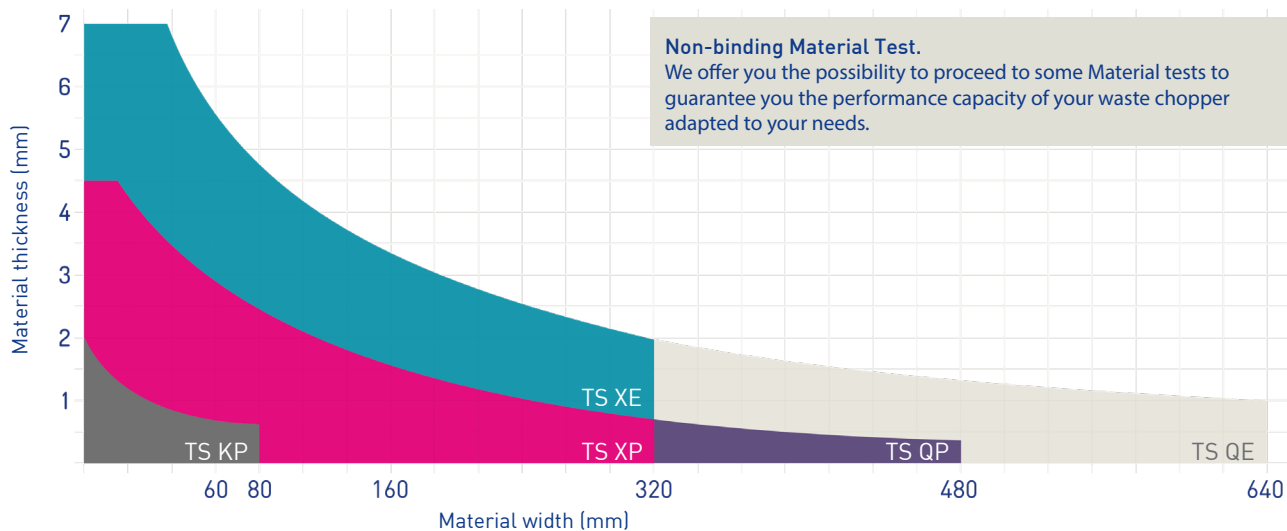
## OPTIONS

- Mounting bracket

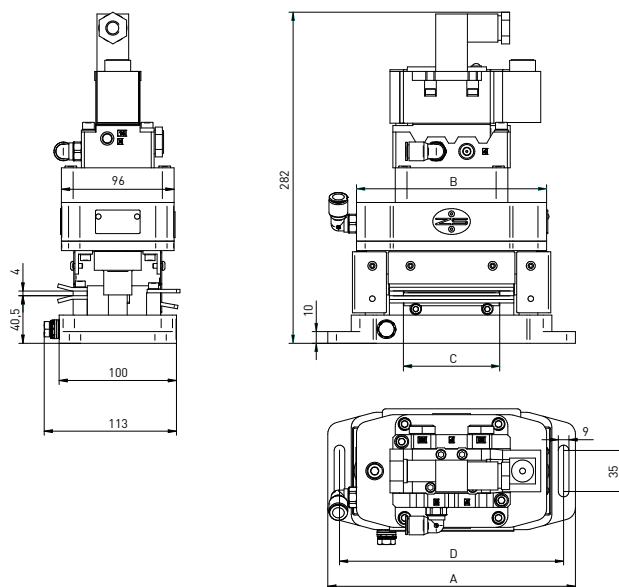
# SMALL WASTE CHOPPER TS KP



PERFORMANCE



TECHNICAL SPECIFICATIONS



MODEL	TS KP	060	080
Cutting width max. (mm)		60	80
Support width A (mm)		190	211
Body width B (mm)		140	162
Opening width C (mm)		61	82
Mounting distance D (mm)		170	191
Cutting force max.		12 KN	
Strokes		400/min	
Air consumption pro switching cycle		1.2 l	

## SWITZERLAND

Zehnder & Sommer AG  
CH-3400 Burgdorf  
info@zehndersommer.com  
Tel +41 31 800 00 00

## GERMANY

Zehnder & Sommer GmbH  
DE-58452 Witten  
info@zehndersommer.de  
Tel +49 2302 981 60 30

zehndersommer.com  
ZSswiss.com